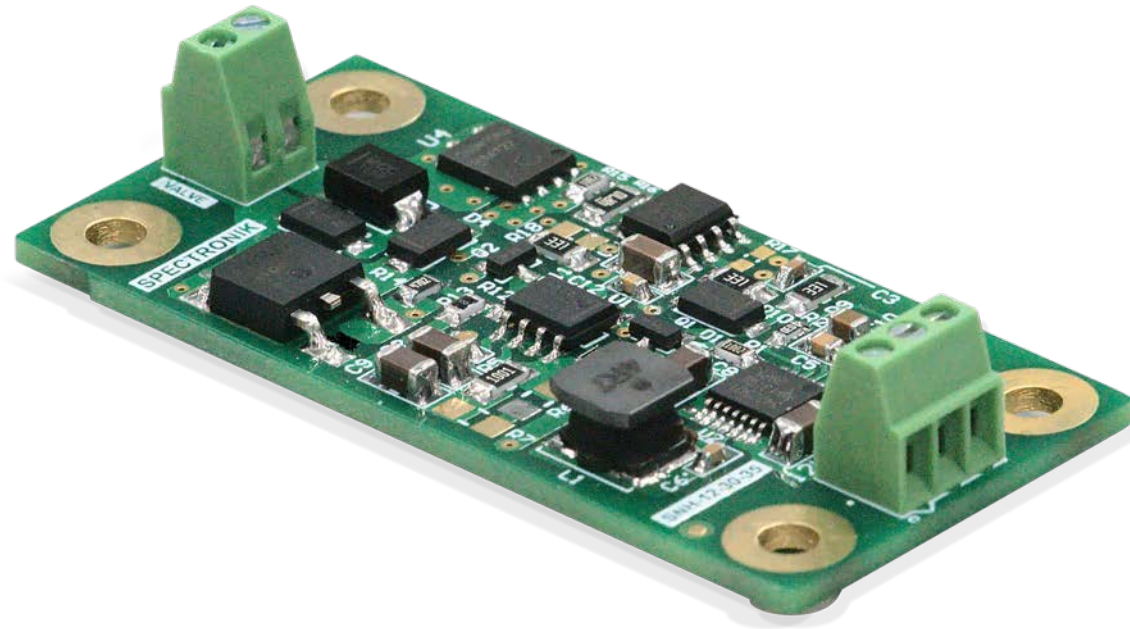


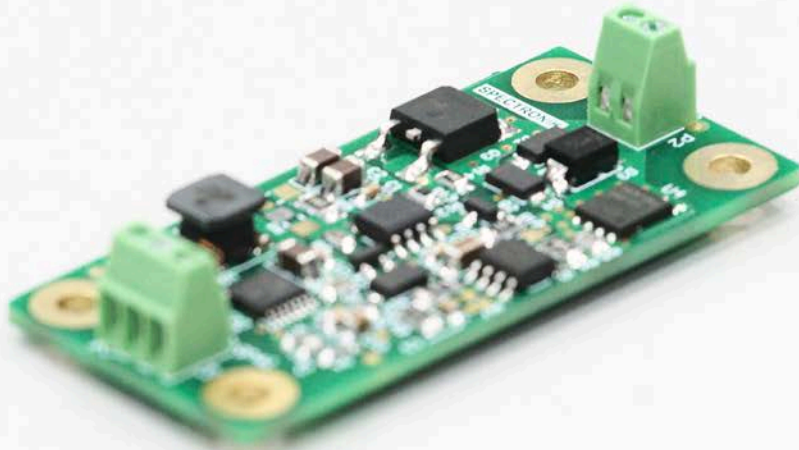
SPIKE-&-HOLD BOARD

SNH-12-30-35



SPECTRONIK

INTRODUCTION

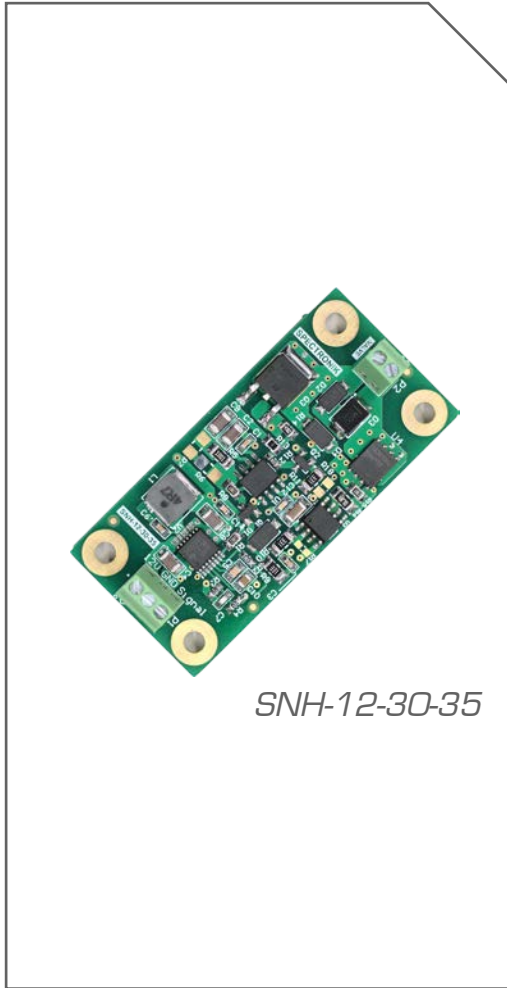


SNH-12-30-35 is a plug-and-play circuit board that generates a spike-&-hold voltage typically needed in solenoid valves applications.

Each SNH-12-30-35 board can support up to 4 of Spectronik's HFV-3X-55 Highflow Miniature Valve Modules.

Hold voltage is also factory configurable between 3.5-5VDC at the time of order.

SPIKE-&-HOLD BOARD



SNH-12-30-35

DESCRIPTION

Voltage spike-and-hold circuitry | Supports 4 Highflow Miniature Valve Modules

MECHANICAL SPECIFICATIONS

Dimension (max)

[L] 57 x [H] 12 x [W] 27 mm

Mass

8.8 g

Operating Ambient Temperature

-20°C to 50°C

Mounting Feature

4 x Ø 3.2 mm holes

ELECTRICAL SPECIFICATIONS

Supply Voltage and Current

12 ±5% VDC, 4 A | 1A per Highflow Miniature Valve Module

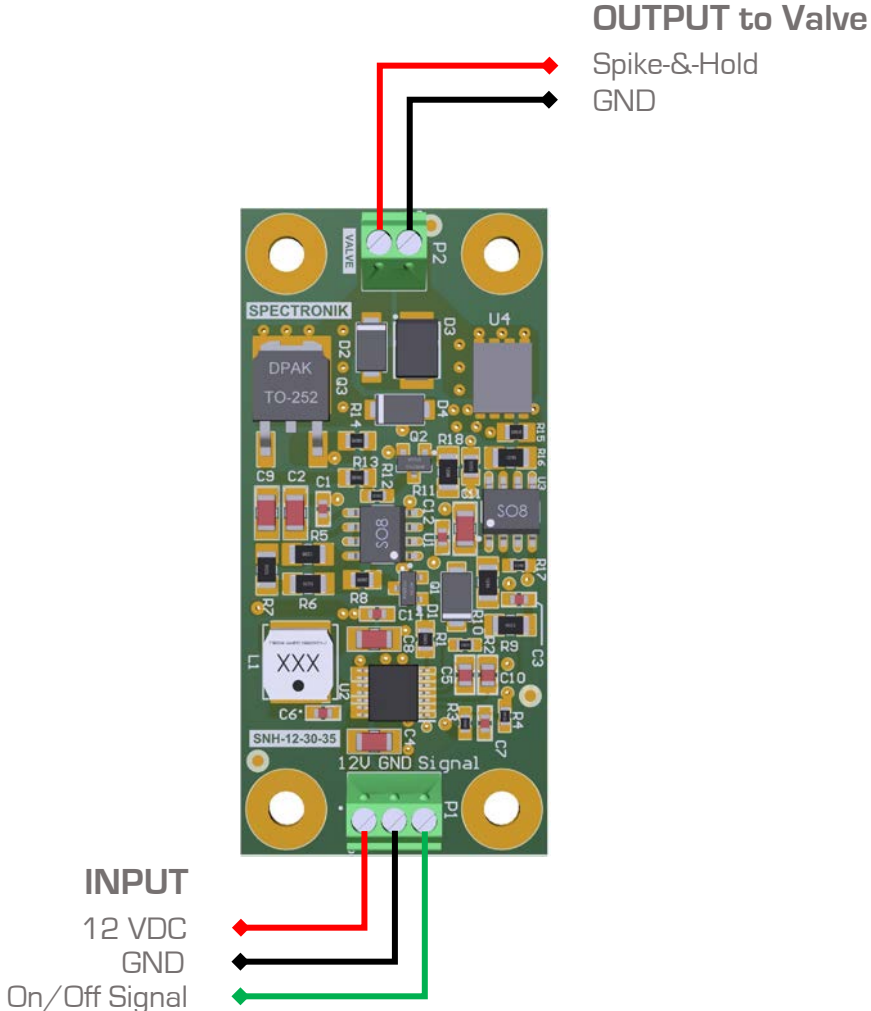
Signal (On/Off) Input

3.3 VDC to 12 VDC

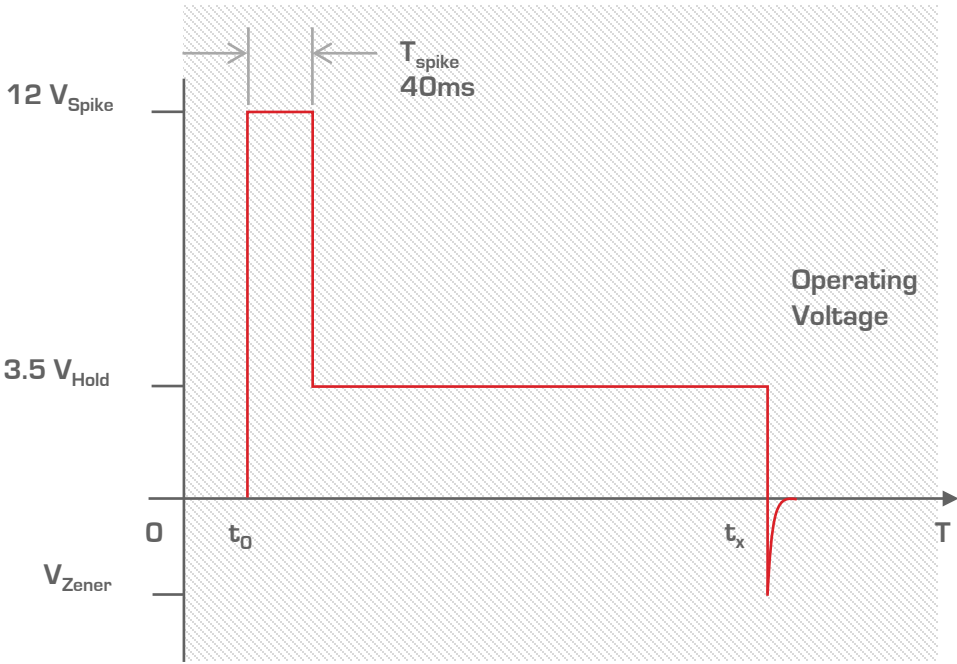
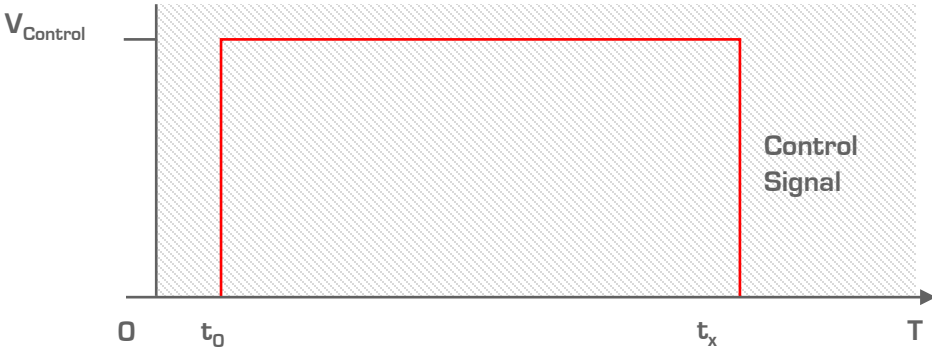
Output Spike-&Hold Voltages

Spike at Supply Voltage for 45 ms | Hold at 3.5 ±5% VDC
Factory-configurable 3.5 V to 5 V hold-voltage

WIRING DIAGRAM



SPIKE-&-HOLD OPERATION



hello@spectronik.com

Spectronik Pte. Ltd.

2 Cleantech Loop
#04-17 JTC Launchpad
Singapore 637144